



COOPERATIVE EXTENSION SERVICE

Departments of
Human Environment and Design
Agricultural Engineering
Urban Planning and Landscape Architecture

MICHIGAN STATE UNIVERSITY

Extension Bulletin E-954

August 1980

REPLACING BROKEN WINDOW GLASS

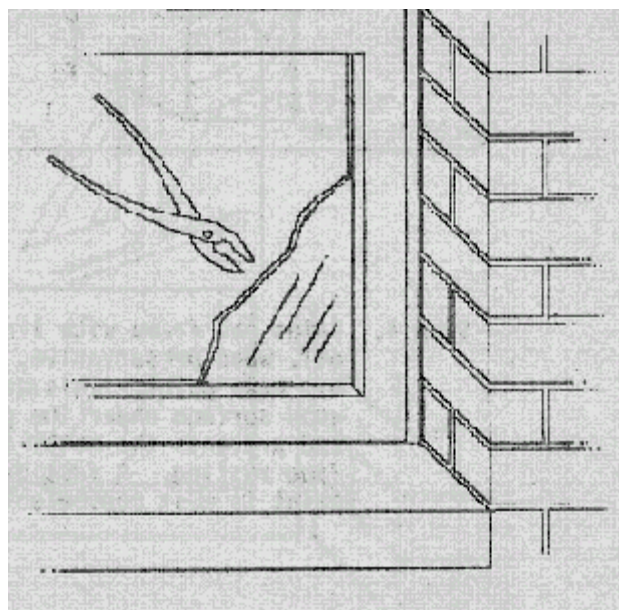
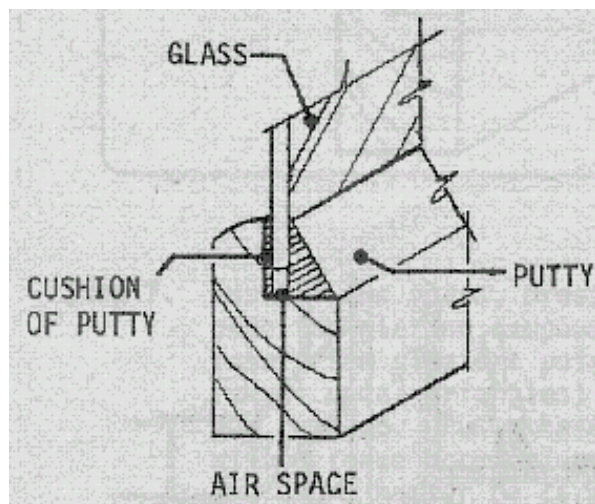
Broken window glass is a common happening especially in houses where children are present. Broken window glass can be replaced by regular glass or by plastic unbreakable glass.

Before starting to replace broken glass, put on a pair of gloves and a pair of glasses. It is easy for bits of glass to chip and fly.

Glass, in both wooden and metal frames, is held in place usually by a mechanical fastener. Putty or glazing compound is then applied to keep out rain.

The following steps are suggested for replacing broken window glass:

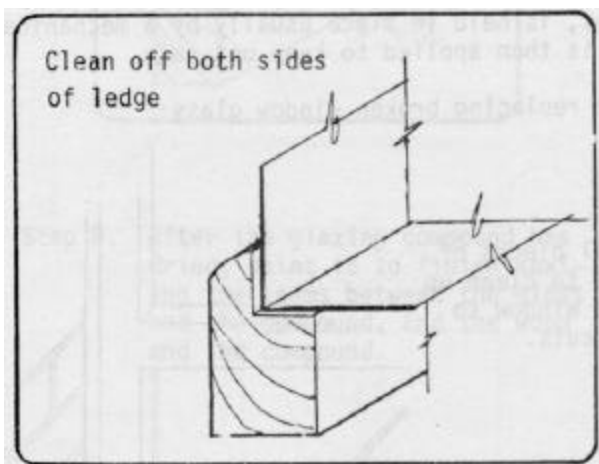
- Step 1. Carefully remove all pieces of glass being careful to clean up the area around the window to prevent injury and cuts.



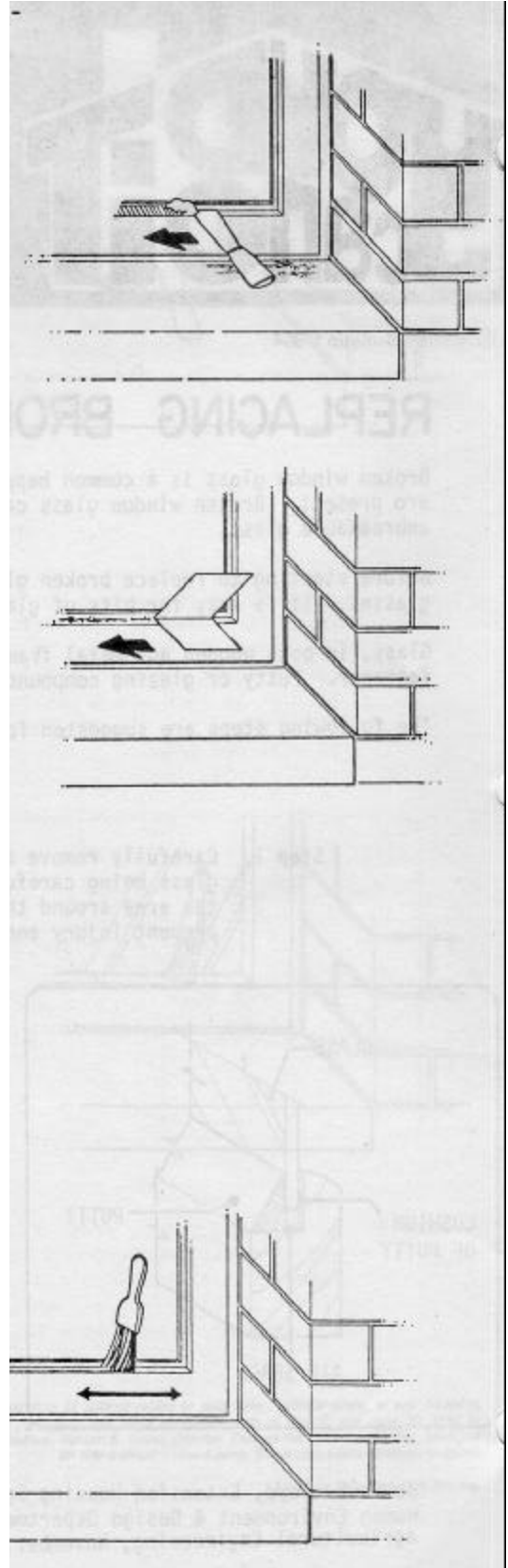
James S. Boyd, Extension Housing Specialist, Agricultural Engineering and Human Environment & Design Departments; Leslie A. Mack, Extension Specialist, Agricultural Engineering, November, 1975.

Step 2. With a chisel or jackknife, remove the old putty. Be careful not to gouge the wooden frame. As you proceed around the frame you will find glaziers points (small steel triangles); spring clips in metal window frames. Save these points or clips. Be sure all old putty is removed so the glass will slide into place easily.

Step 3. With sandpaper or a rasp, clean off bits of putty which might remain on the wood or metal sash.

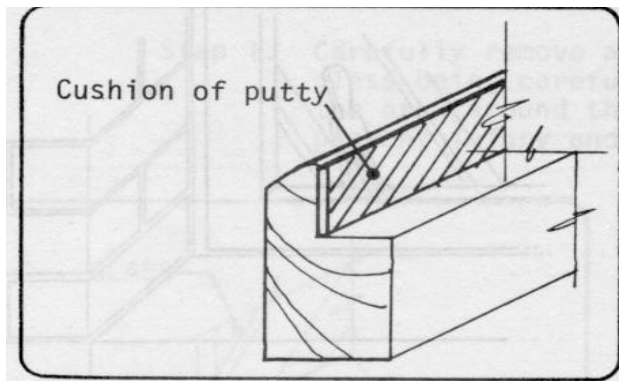


Step 4. Paint the frame with linseed oil, wood preservative, or an oil base paint. This seals the wood surface under the putty and prevents the metal frame from rusting. A fast drying paint is most convenient.

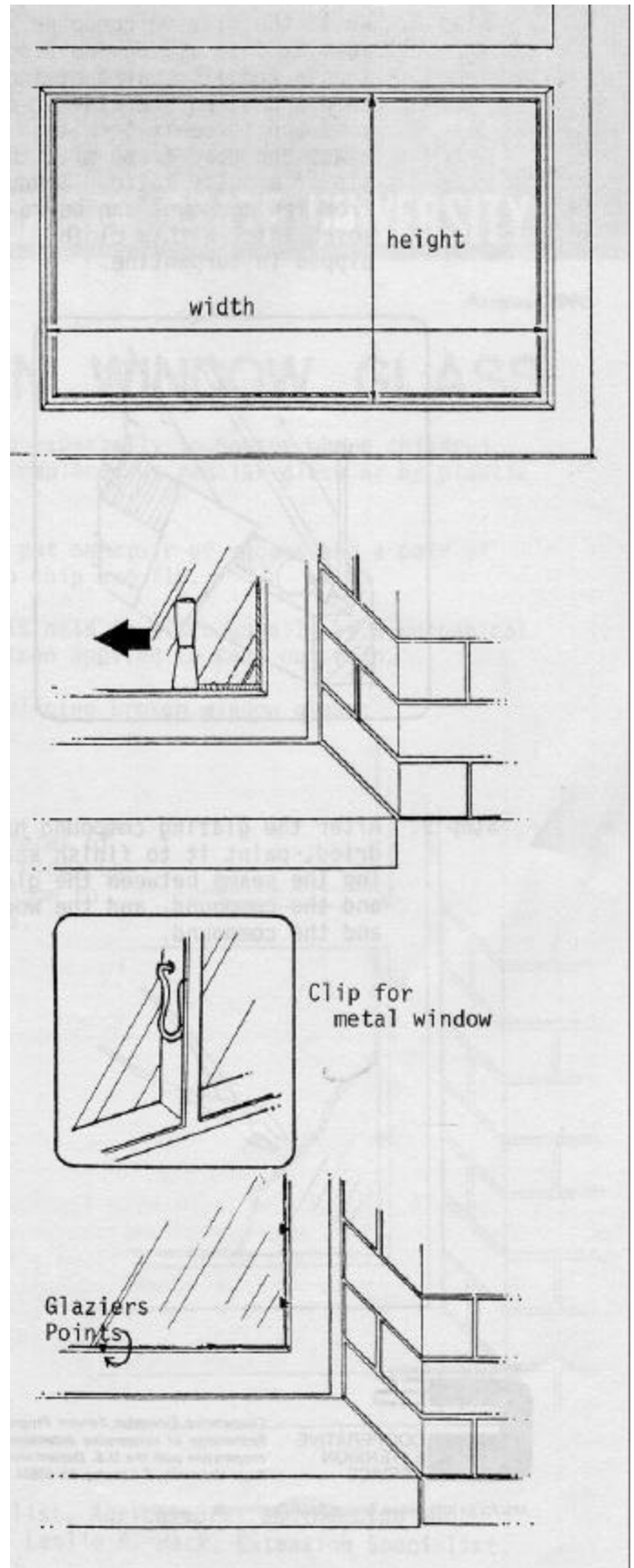


Step 5. Measure the size of the glass with a yardstick or folding rule. A steel rule may sag causing errors in dimensions. Allow 1/8" clearance on all sides so reduce each measured dimension by 1/4". Buy the glass cut to the correct size.

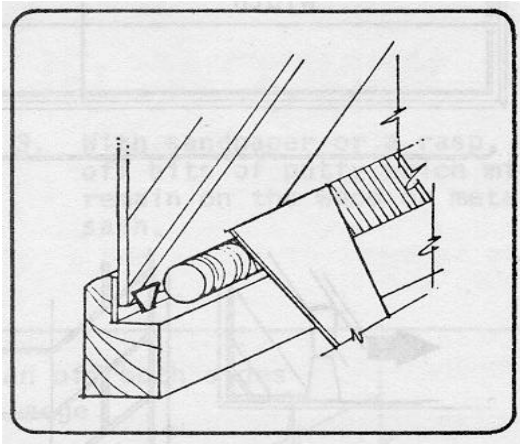
Step 6. Put a thin ribbon of glazing compound in the groove on the frame for the glass to rest on. Keep the thickness of this glazing compound fairly uniform so when you press the glass down into the compound it will not crack.



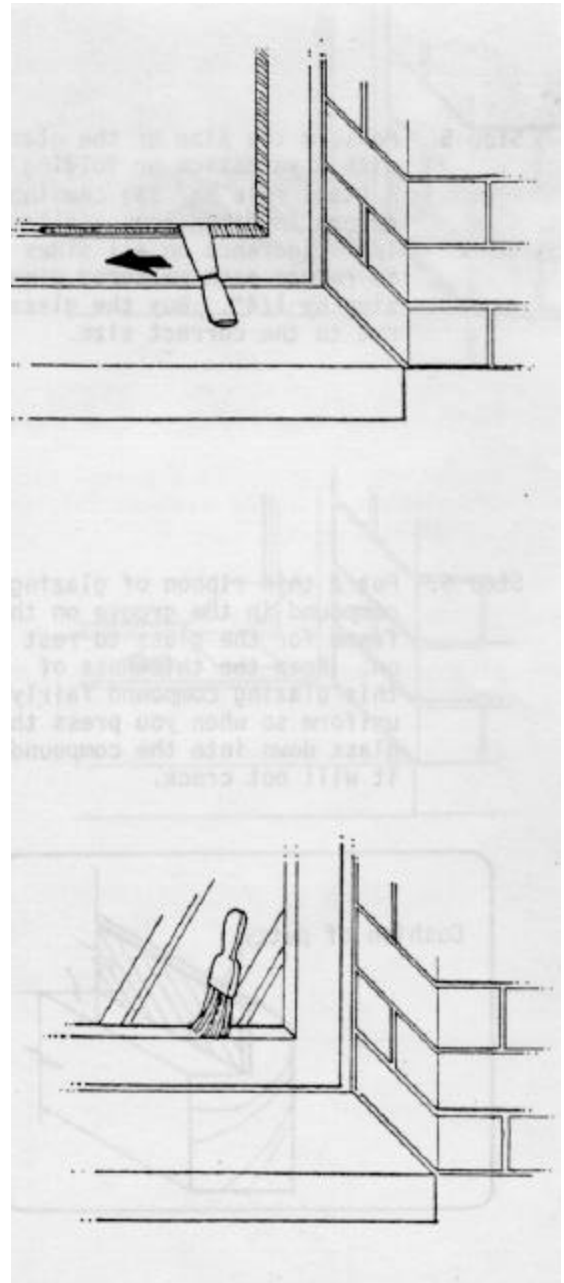
Step 7. Install, the glass, press it onto the glazing compound and insert the glaziers points (small metal triangles) which you removed. Push these in with a large screwdriver. If you use a hammer be careful not to break the glass. These should be every 6" to 8". The spring clips for metal windows should be inserted in the holes provided in the steel frame.



Step 8. Knead the glazing compound and form it into strings no bigger than a pencil. Lay a string of compound along one side at a time and force it onto the glass and wood frame with the tip of a putty knife. Smudges from the compound can be removed later with a cloth dipped in turpentine.



Step 9. After the glazing compound has dried, paint it to finish sealing the seams between the glass and the compound, and the wood and the compound.



Cooperative Extension Service Programs are open to all without regard to race, color, national origin, or sex. Issued in furtherance of cooperative extension work in agriculture and home economics, acts of May 8, and June 30, 1914, in cooperation with the U.S. Department of Agriculture, Arlen Leholm, Director, Cooperative Extension Service, Michigan State University, E. Lansing, M148824.
2P- 10M-8:80-UP- Price 5 cents. Single copy free to Michigan residents.